

# Thermo Top water heaters

Water heaters for the marine market



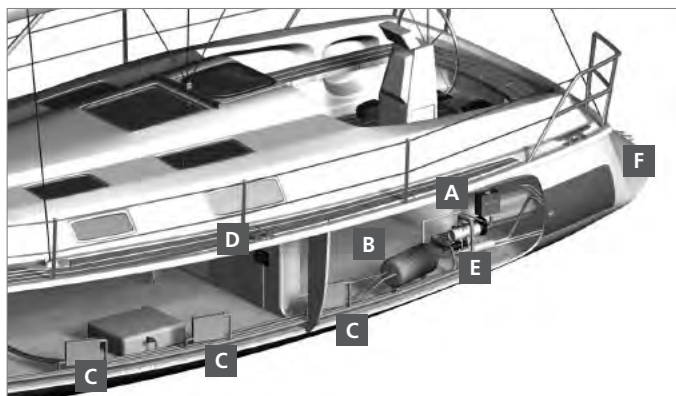
Comfort as you know it at home. Webasto water heaters not only ensure even heat distribution in the boat, but also provide domestic hot water in connection with a water boiler. These heaters can be installed in the engine room with minimum space requirements, and can be easily combined with Webasto chiller air-conditioners to form an integrated climate control system.

## **There is a wide range of different water heater systems:**

The 5 kW unit is ideal for the majority of marine applications. Compact design, variable temperature control, reliable technology and low noise levels. The Thermo 90 ST offers infinitely variable temperature adjustment, high heat output, compact dimensions, service friendly technology, and an extremely low noise level. The DBW 2012/2016 is the most robust device on the market and has proven itself through many years of use. The water heating system is also suitable for demanding applications with high heat output of 11.6 kW, respectively 16 kW. The Thermo 230/300/350 device is suitable for very large boats. The heater has the power to keep every part of the boat warm and challenges even extreme weather conditions. In case one single heater is not sufficient (e.g. at very large boats) two heaters can be combined.

- Heating comfort just like at home
- Even distribution of warmth by means of radiators
- Hot water for the shower and galley
- Quiet-running
- Space-saving installation in the engine room
- Excellent possibilities for combining with Webasto BlueCool air-conditioning systems
- Separate temperature control in every cabin
- Low fuel consumption
- Compact design
- Meet current requirements and standards relating to boats
- Robust aluminum casing, resistant to high temperature or salt

## Installation example:



- A** Water heater
- B** Boiler for heating hot water
- C** One radiator for each cabin allows individual temperature control
- D** Controls – simple and logical to use
- E** Circulating pump
- F** Stainless steel exhaust

## Technical specifications:

Model	Thermo Top E	Thermo Top C Thermo 50	Thermo 90 ST Marine*	DBW 2010** DBW 2016**	Thermo 230**	Thermo 300** Thermo 350**
Heat output (kW) Partial load/Full load	2.5/4.2	2.6/5.2 2.2/5.0	1.8 – 7.6 (boost mode 9.1)	11.6 16	23	30 35
Fuel, fuel consumption (l/h) Partial load/Full load	Diesel, 0.36 – 0.59	0.36 – 0.73 0.36 – 0.73	Diesel, 0.23 – 1.08 (boost mode 1.33)	Diesel, 1.57 Diesel, 1.81	Diesel, 3.0	Diesel, 4.0 Diesel, 4.5
Voltage (V)	12	12 24	12/24	12/24 12/24	24	24 24
Power consumption (W) Partial load/Full load	32/37 (with circulation pump)	32/42 (with circulation pump) 34/50 (with circulation pump)	37 – 83 (boost mode 90)	60 (without circulation pump) 90 (without circulation pump)	65 (without circulation pump)	90 (without circulation pump) 120 (without circulation pump)
Net weight (kg)	3.2	3.2	4.8	14.5	19	19
Dimension L x W x H (mm)	214 x 106 x 168	214 x 106 x 168 237 x 106 x 193	355 x 133 x 232	564 x 205 x 228 564 x 205 x 228	610 x 246 x 220	610 x 246 x 220 610 x 246 x 220

\* Thermo 90 ST regulates stepless. \*\* Values for full load.  
Technical specifications are subject to change without prior notice.

## Control element:



Comfort digital timer