

Air Top air heaters

Air heaters for the marine market



The Webasto Air Top air heaters provide continuous heating power output via stepless modulation, ensuring constant cabin temperatures. The heater operates quietly and consumes very little electrical power and fuel.

A robust composite casing protects the unit against high temperatures or salt. Moreover sealed control electronics and connectors withstand the marine environment.

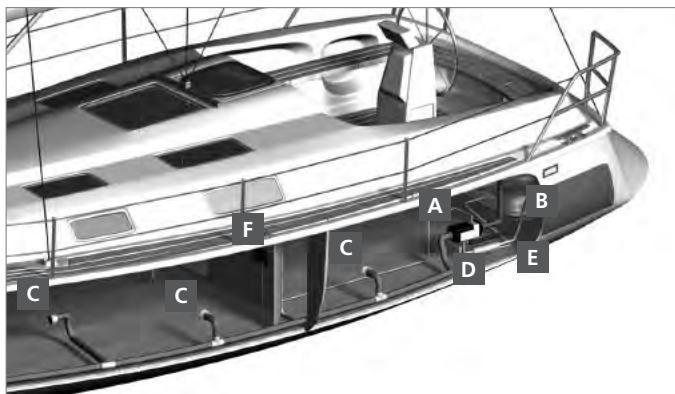
There is a wide range of different air heaters:

The Air Top 2000 ST is the smallest air heater on the market. It offers excellent heat output and optimal economy.

The Air Top Evo series 3900 and 5500 are smart multi-mode heaters. High-performing, compact and quiet, the heaters are ideally suited for the most rigorous requirements. The Air Top Evo series can be upgraded with a sophisticated user interface to offer additional operations like ECO, power and ventilation.

- Short heating-up times thanks to effective output
- Available as a complete installation kit for quick and simple retrofitting
- Dehumidification of the cabins
- Quiet-running
- Ideal for sailing and motor boats up to 40 feet
- Constant coziness thanks to an electronic thermostat
- Low operating costs
- Meet current Marine requirements and standards
- Compact, space-saving design and simple to install

Installation example:



- A** Air heater
- B** Intake for fresh air from outside
- C** Outlets for even distribution of warm air
- D** Combustion-air intake
- E** Stainless steel exhaust
- F** Controls

Technical specifications:




Model	Air Top 2000 ST	Air Top Evo 3900*	Air Top Evo 5500*
Heat output (kW)	0.9 – 2.0	1.5 – 3.5 (3.9)	1.5 – 5.0 (5.5)
Fuel, fuel consumption (l/h)	Diesel, 0.12 – 0.24	Diesel, 0.19 – 0.45 (0.49)	Diesel, 0.19 – 0.63 (0.69)
Rated voltage (V)	12	12/24	12/24
Rated power consumption (W)	14 – 29	15 – 40 (55)	15 – 95 (130)
Net weight (kg)	2.6	5.9	5.9
Dimension L x W x H (mm)	311 x 120 x 121	423 x 148 x 162	423 x 148 x 162

* Air Top Evo 3900 and Air Top Evo 5500 deliver the boosting power of 3,900 or 5,500 W only in combination with the Air Top Evo M user interface. Technical specifications are subject to change without prior notice.

Control element:



Multi-mode Air Top Evo control

-  ECO mode for reduced electrical power consumption
-  Power mode PLUS for +10 % increased heating power output (from 3,500 W to 3,900 W and from 5,000 W to 5,500 W)
-  Ventilation mode to provide fresh and cool air to cabins on a hot day