

FRESCO GENIUS PARKING COOLER

COOL NEWS

05 - 2018

FRESCO GENIUS

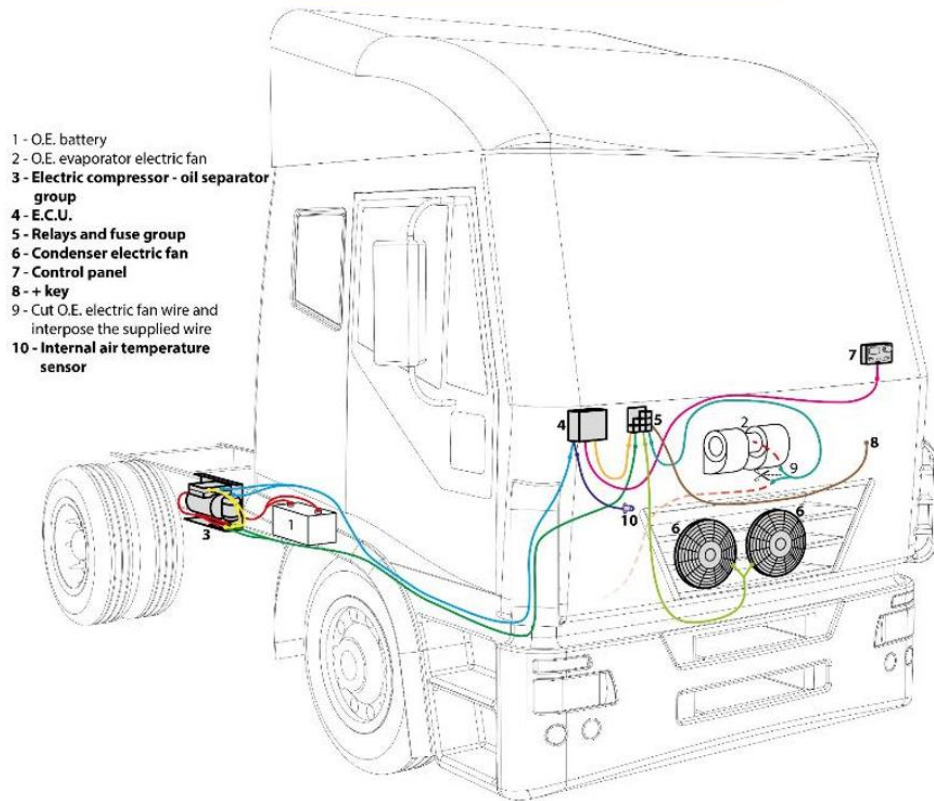


IL FREDDO DIRETTAMENTE DALLE BOCCHETTE D'ARIA ORIGINALI DEL TUO VEICOLO
THE COOL AIR COMES OUT DIRECTLY FROM THE ORIGINAL AIR DIFFUSERS

PER UNA VASTA GAMMA DI VEICOLI INDUSTRIALI
FOR A WIDE RANGE OF TRUCKS



CONNECTION WIRING



TECHNICAL SPECIFICATION

Power Consumption:

- **STANDARD: 450 Watt@25.5V**
approximately 17.6A/h
- **MAX: 950 Watt@25.5V**
approximately 37.2A/h

Cooling Capacity:






- **STANDARD: 1050 Watt**
- **MAX: 2300 Watt**

ADVANTAGES COMPARE WITH ACTUAL AFTER MARKET SOLUTIONS

- **BETTER VEHICLE Cx (Aerodynamics Efficiency) compared with roof top mounted solution**
- **FREE HATCH**
- **NO ADDITIONAL HOLES**
- **MINOR INCREASE of WEIGHT**
- **No INCREASE of HEIGHT**
- **Higher PERFORMANCE**
- **Lower Noise**

CONTROL PANEL

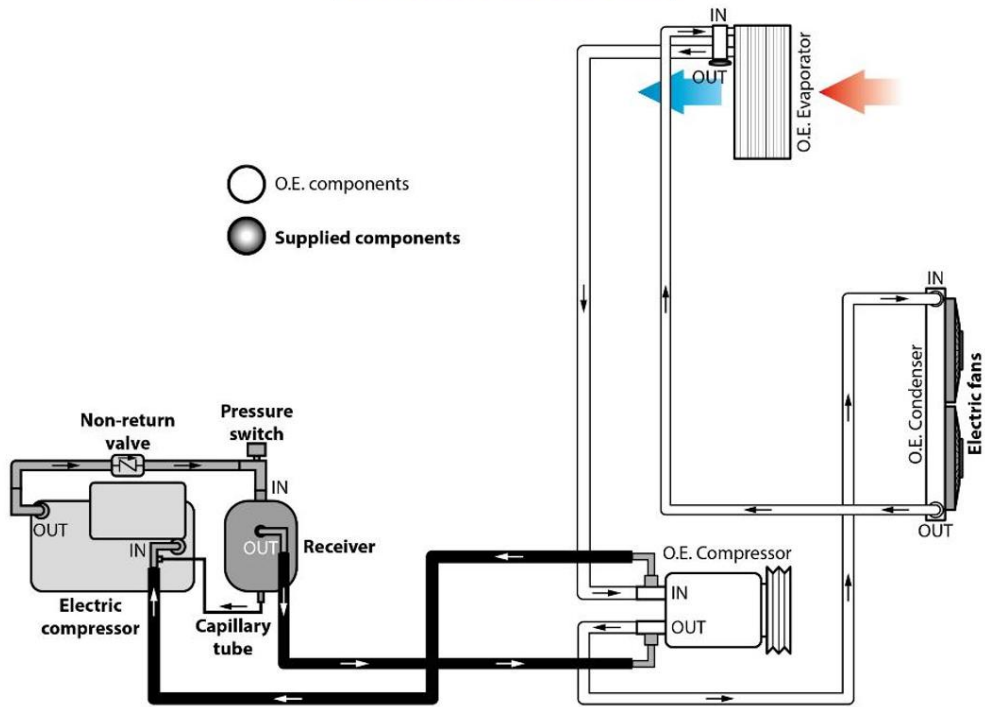


Main Functions: **ON/OFF**
MAX AC on-off - 
Temperature Control
5 Evaporator Fan Speeds - 
Timer off - 
Timer on - 
Remote control
Low Battery cut/off - 

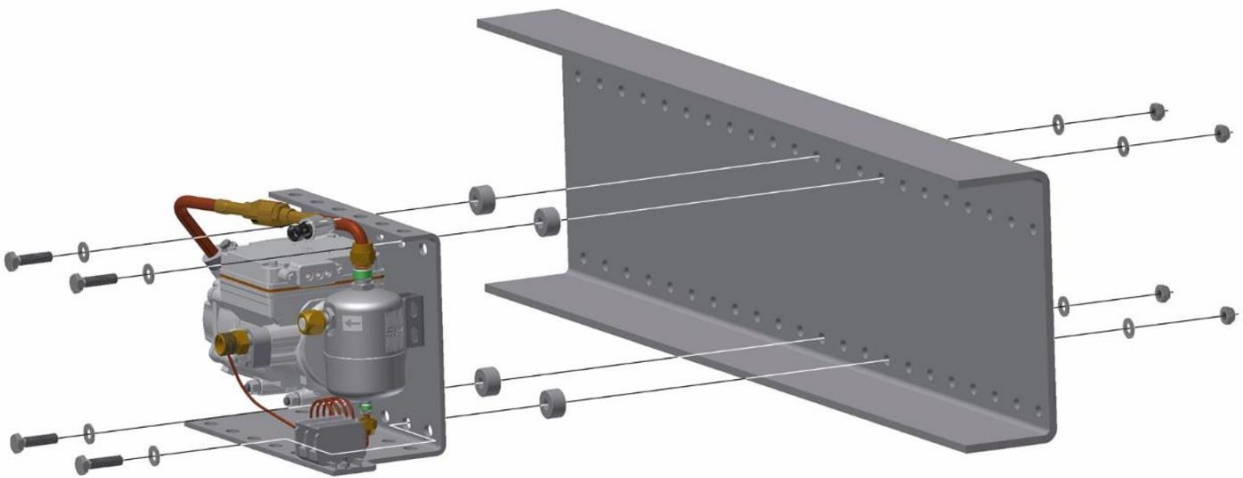
Dimensions: **60mm X 50mm X H 22,5mm**

Additional sensors: **Evaporator Inlet Air T(°C) Sensor**
Pressure linear sensor - 

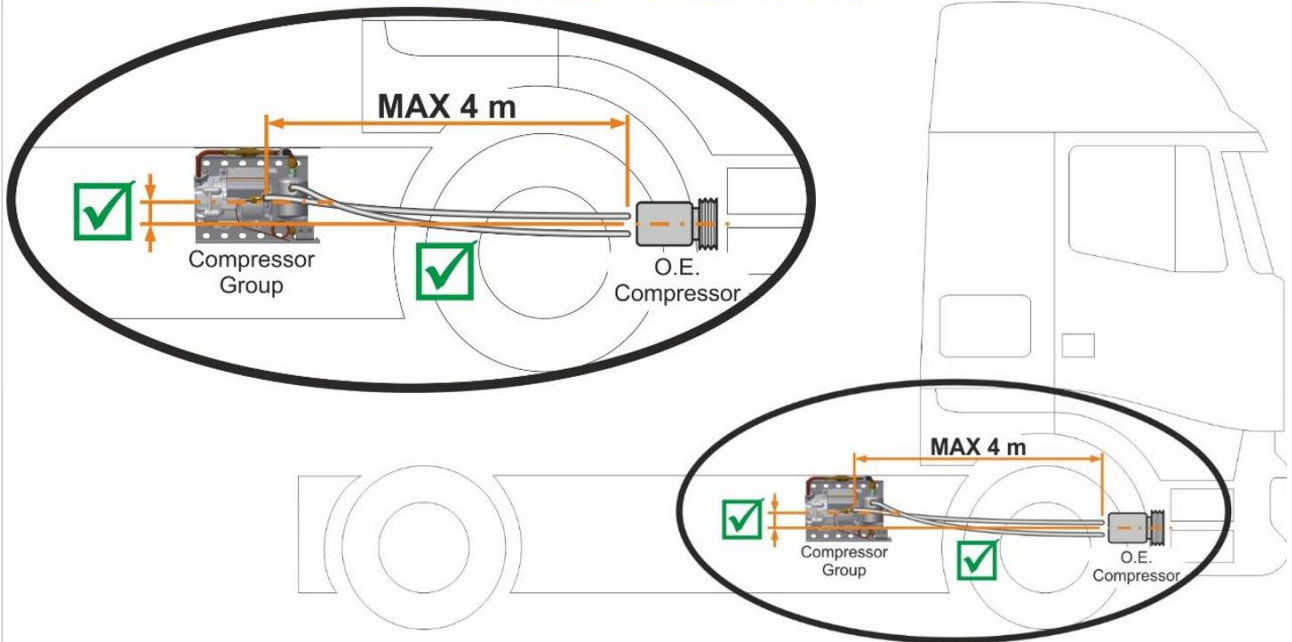
COOLING CIRCUIT



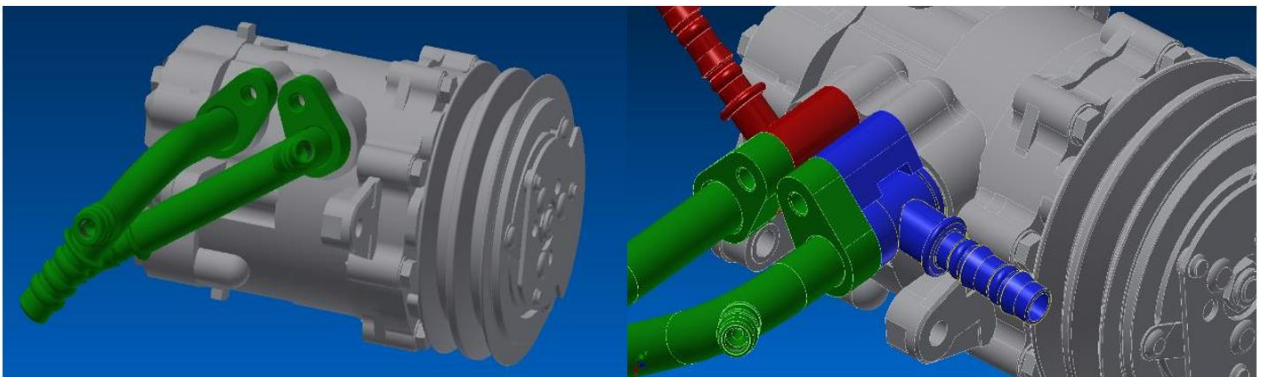
ELECTRIC COMPRESSOR



ELECTRIC COMPRESSOR



'T' CONNECTIONS



CONDENSER FANS

